



Luminaire is dedicated for rooms of cleanliness class ISO9-3 according to PN-EN ISO 14644-1. Recommended to use in medical sector to illuminate such places as: operating rooms, rooms dedicated for laparoscopic and endoscopic surgeries, to illuminate the rooms where laser treatments are conducted, dermatological offices, recovery rooms, to illuminate blood collection centres etc. Luminaires are not dedicated for domestic use.

To ensure the safety before starting mounting it is necessary to read this instruction. Retain the instruction.

The luminaire should be used according to the instructions.

Only trained staff and people who have appropriate authority can install the luminaire.

1. The producer has the exclusive right to modify its products.

2. During luminaire mounting use attached protective gloves.

3. The producer is not responsible for:

-damages resulting from modifications of the product done by the user,

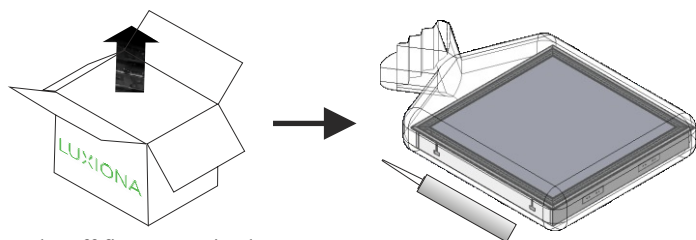
-product damages resulting from installing not according to mounting instruction by unauthorised people or because of wrong storage,

-making product dirty during mounting or because of not using protective gloves.

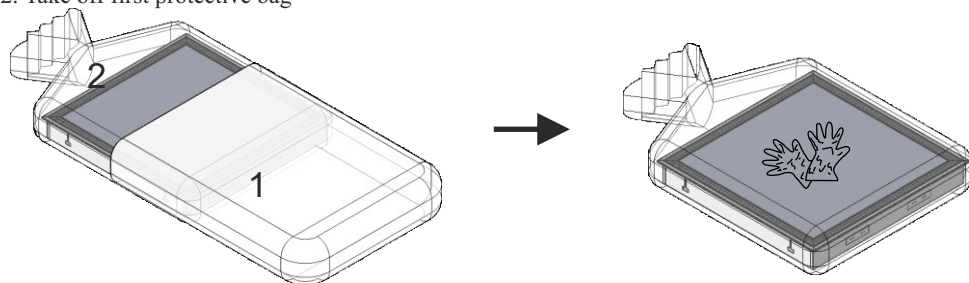
**Attention:** Suspended luminaires cannot be covered with insulation mat.

**Luminaire mounting:**

1. Take out the luminaire from the cardboard and sealant.



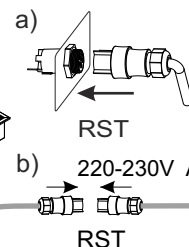
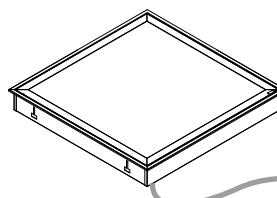
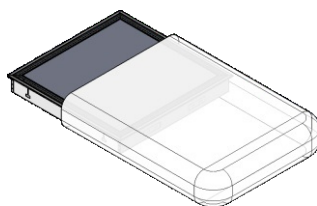
2. Take off first protective bag



3. Put on silicone protective gloves attached to the product.



4. Second protective bag take off only in clean room.



Information concerning of safety use and other technical data not included in the instruction can be obtained from the producer.

Maintaining.

Periodical inspections need to be made (every 6 months-advisable), to detect any failures and mechanical damages as well as dirtiness especially of elements of optical system.

1. Before you start any service activity, you must disconnect the power.

Attention: Light sources which during standard exploitation are worn or damaged should be immediately replaced with new ones. The luminaire is originally fitted with light sources. In the case of fluorescent lamp wear replacement is permissible under the condition that equivalent fluorescent lamp are used with the same light parameters. (Look: "Fluorescent lamp replacement" and p. 9 "Type of fluorescent lamp in the luminaire"). LED light sources can be replaced by LUXIONA authorised service.

2. Casing of the luminaire and its elements (glass, painted surfaces) can be cleaned by using liquid biodegradable disinfectants-Microzid AF Liquid, AERODESIN 2000, AniossprayQuick, FUGATEN SPRAY, Incidin Liquid Spray, Incidur Spray, (besides those which contain fluorides in acid environment and containing big amount of pigments), using soft cloth. After removing dirt it should be dried (using drier or cloth). For PLX and PRM, louvers and reflectors-use compressed air.

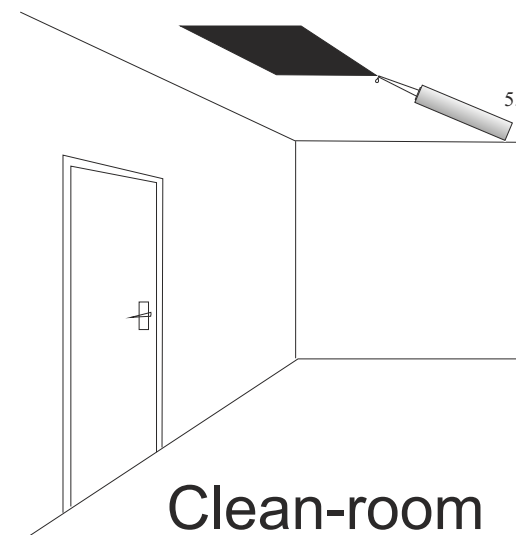
Luminaires do not endanger people's and property safety under the condition they are properly installed, maintained and operated in accordance with its intended purpose.

AGAT CLEAN ISO luminaires made by LUXIONA POLAND are dedicated to be used in standard conditions. Standard conditions are characterised by the ambient temperature ranging from +10 to +25C, air pressure 960-1000 hPa, humidity 40-60%. These are the conditions in the most of European regions.

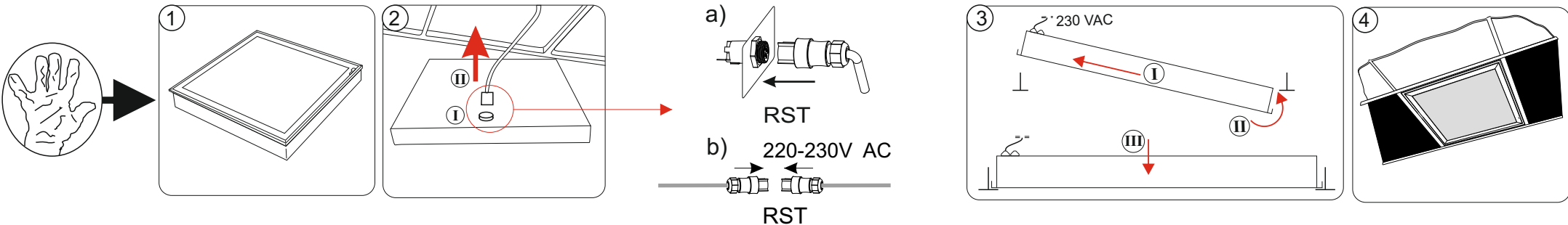
Luminaires should not be used in the case if ambient conditions can endanger the construction of the luminaire, paint coating or electronic components placed inside causing inappropriate luminaire functioning. Factors causing danger include: high temperature, high humidity, dust, presence in the air not indifferent chemical substances (chlorine, salt, acids, alkaline), vibrations, shocks, exposure to impact, electromagnetic field.

In luminaires with PLX, PRM, MPRM, SH diffuser in aluminium frame it is unacceptable to mount the frame with diffuser by pushing the diffuser! (Look: "Fluorescent lamp replacement")

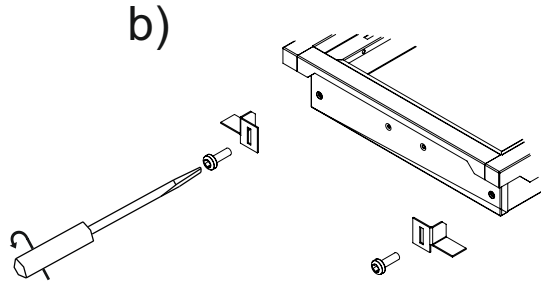
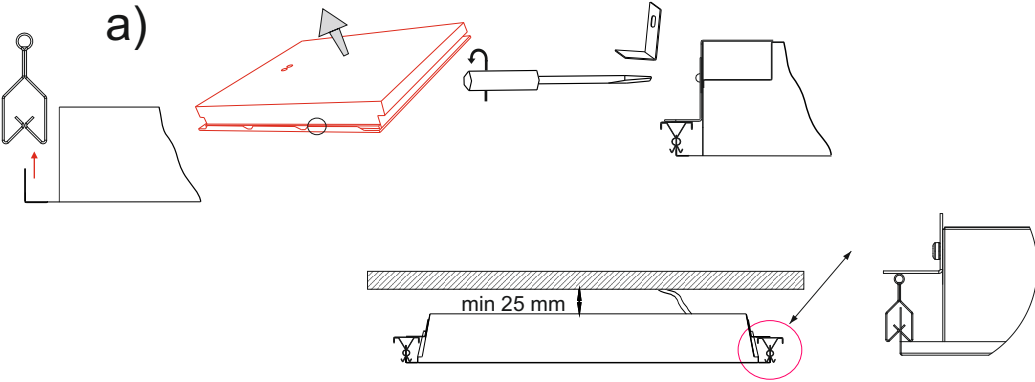
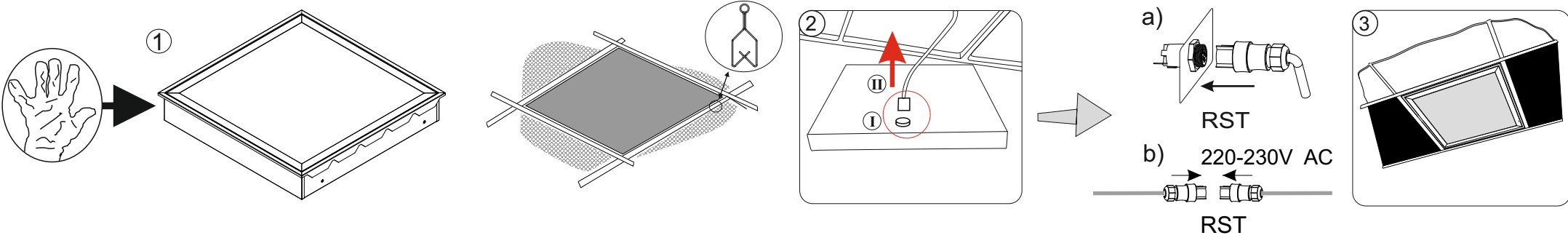
After each exploitation opening of the luminaire it should undergo the process of sanitisation.



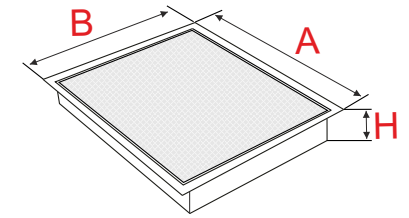
### Mounting on suspended modular ceiling



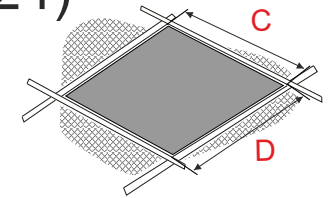
### Mounting on CLIP-IN ceiling



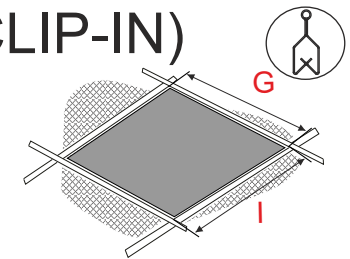
LED lm - 840/830, Ra>90	I					II					II m625				
	A	B	H	C	D	A	B	H	G	I	A	B	H	G	I
LED 2600lm LED 4400lm <b>LED 3600lm</b> <b>LED 5400lm</b> LED 3750lm	596	296	76	600	300	599	299	76	600	300	625	312,5	76	625	312,5
LED 5200lm LED 8800lm <b>LED 7200lm</b> <b>LED 10800lm</b> LED 7500lm	1196	296	76	1200	300	1199	299	76	1200	300	1250	312,5	76	1250	312,5
LED 3900lm LED 5200lm LED 6600lm LED 8800lm LED 6500lm LED 11000lm <b>LED 7200lm</b> <b>LED 9000lm</b> LED 7500lm	596	596	76	600	600	599	599	76	600	600	625	625	76	625	625
LED 7800lm LED 10400lm LED 13200lm LED 17600lm <b>LED 14400lm</b> <b>LED 18000lm</b> LED 15000lm	1196	596	76	1200	600	1199	599	76	1200	600	1250	625	76	1250	625
NO-FRAME															
LED 2600lm LED 4400lm <b>LED 3600lm</b> <b>LED 5400lm</b> LED 3750lm	596	296	67	600	300										
LED 5200lm LED 8800lm <b>LED 7200lm</b> <b>LED 10800lm</b> LED 7500lm	1196	296	67	1200	300										
LED 3900lm LED 5200lm LED 6600lm LED 8800lm LED 6500lm LED 11000lm <b>LED 7200lm</b> <b>LED 9000lm</b> LED 7500lm	596	596	67	600	600										
LED 7800lm LED 10400lm LED 13200lm LED 17600lm <b>LED 14400lm</b> <b>LED 18000lm</b> LED 15000lm	1196	596	67	1200	600										



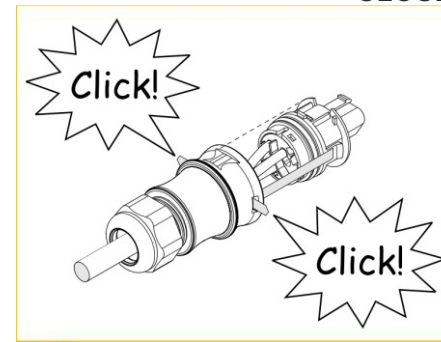
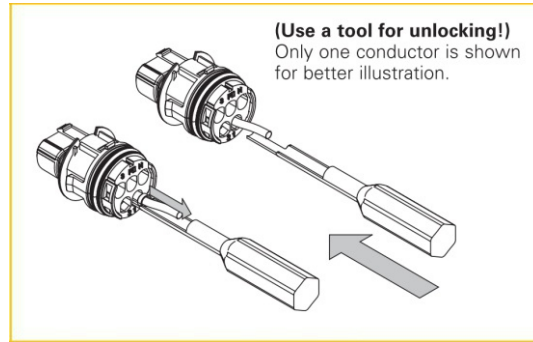
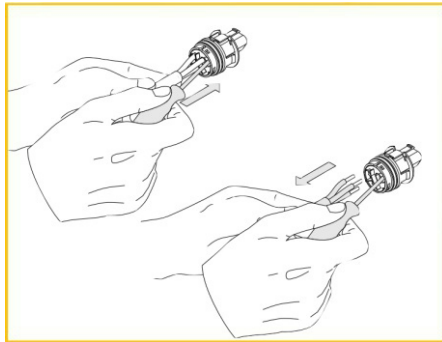
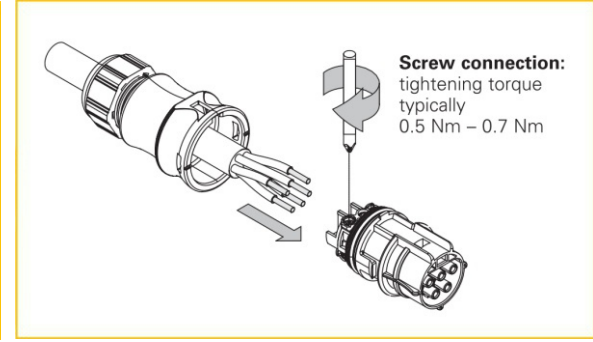
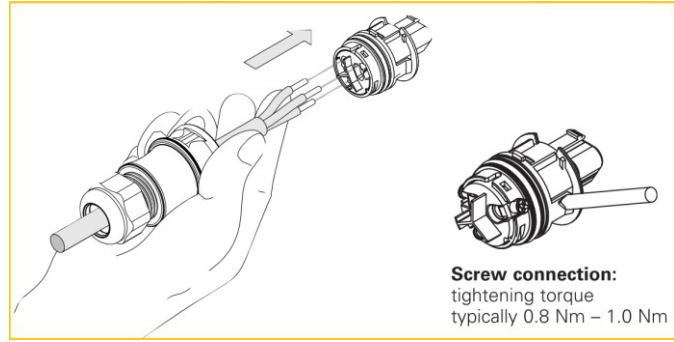
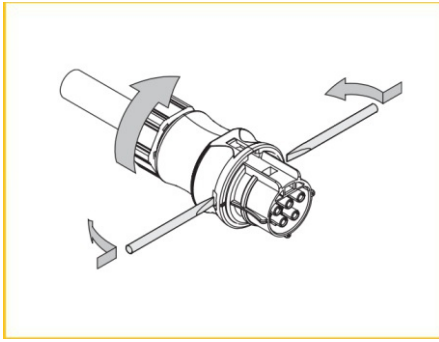
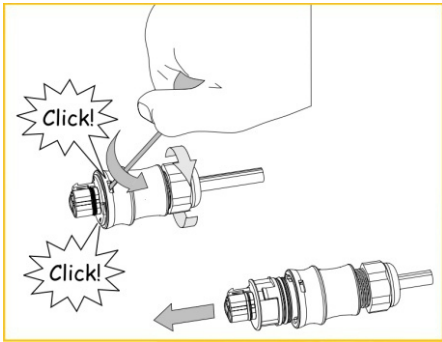
I (T24)



II (CLIP-IN)



OPEN



CLOSE

